



Fixture Type:

The die-cast Star★PAR™ is a rugged, lightweight alternative to conventional PAR64 luminaires. The highly polished specular reflector has been designed to operate most efficiently with the new generation of 750-watt tungsten halogen lamps. The fully rotational lens holder easily accepts a variety of lenses, and the lenses are interchangeable tool-free. The removable, two-slot accessory holder has a self-closing, self-locking retaining latch for safety.

A stylish modern-industrial appearance and ergonomically designed function controls add to the appeal of this versatile luminaire.

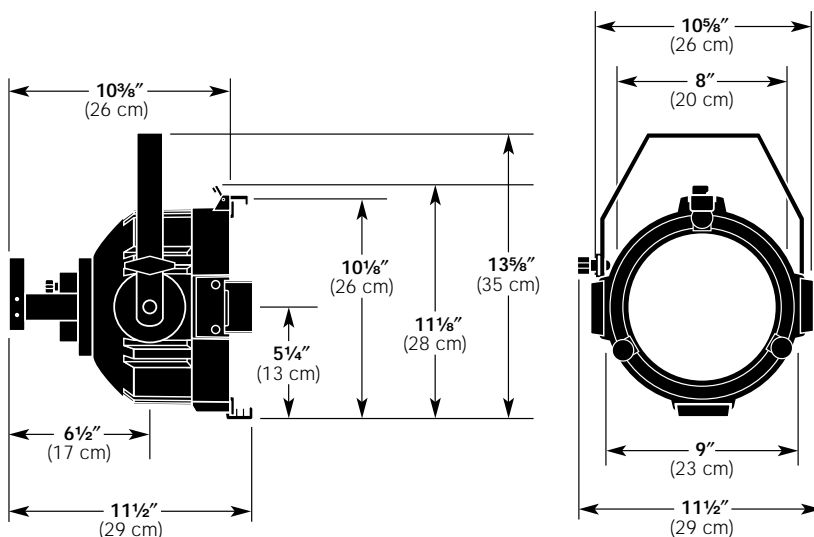
Specifications subject to change without notice.

750-WATT

DIE-CAST STAR★PAR SPOTLIGHT/FLOODLIGHT

Features

- Rugged die-cast aluminum construction
- Reflector made of high-grade aluminum, polished to a mirror finish
- Five interchangeable spread lenses available—very narrow spot through wide flood supplied with luminaire
- Low-friction Hi-Temp lens holder with plastic handles, fully rotational via three insulated finger tabs
- Replaceable two-slot accessory holder with self-closing, self-locking accessory retaining latch
- Positive locking dog on yoke
- Protective insulated rear-mounted handle serving multiple purposes as cord wrap, stand, and focusing aid
- G9.5 medium two-pin lampholder accepting a wide variety of non-proprietary lamps
- Lower-wattage lamps drastically reducing power consumption while simultaneously increasing dimmer capacity
- Smaller-sized lamps reducing lamp storage space significantly
- Accepting standard 10" accessories
- Three 36" Teflon® lead wires
- Up to 25' of Hi-Temp rubber cable optional
- Color frame and safety cable with spring clip included
- U.L.-, c.U.L.-, and CE-listed for 750 watts
- Made in the U.S.A.



750-WATT DIE-CAST STAR★PAR SPOTLIGHT/FLOODLIGHT

Specifications

Housing: Die-cast aluminum construction.

Materials: Corrosion-resistant materials and hardware.

Yoke: Rigid flat steel with locking-dog tilt handle.

Reflector: High-grade aluminum, chemically polished and coated, parabolic design.

Lenses: Five different beam-shaping lenses available (see performance charts).

Lens Holder: Fully rotational, provided with three insulated finger tabs. Lenses interchangeable tool-free. 360° beam rotation.

Socket: Allman G9.5 medium two-pin, axially mounted. Tool-free relamping.

Rating: 120/240 volts AC/DC operation, 4.8/2.4 amps, 750 watts maximum.

Cable: 36" Teflon® leads encased in black fiberglass sleeving. Up to 25' Hi-Temp rubber cable optional.

Focusing Fixture: Rear-mounted protective insulated handle for aiming.

Accessories: Removable front-end accessory holder equipped with two slots accepting standard 10" accessories. Accessory holder retaining latch self-closing and self-locking for safety.

Finish: Black epoxy Sandtex, electrostatic application.

Weight: Approx. 8 lbs. (3.6 Kg).

Catalog
Number
SP-A

ACCESSORIES SUPPLIED WITH LUMINAIRE	
SC-36-BK	Safety Cable with Spring Clip
8-CF	Color Frame, 10"×10"
97-0150	Set of Four Lenses (VNSP, NSP, MFL, WFL)

ADDITIONAL ACCESSORIES	
510	Malleable Iron Pipe Clamp
8-BD-4	4-Way Barn Door
8-SN	Snoot
404-8	Motorized Color Wheel
18-0110	Very Narrow Spot Spread Lens (VNSP)
18-0111	Narrow Spot Spread Lens (NSP)
18-0112	Medium Flood Spread Lens (MFL)
18-0113	Wide Flood Spread Lens (WFL)
18-0114	Very Wide Flood Spread Lens (VWFL)

LAMP INFORMATION

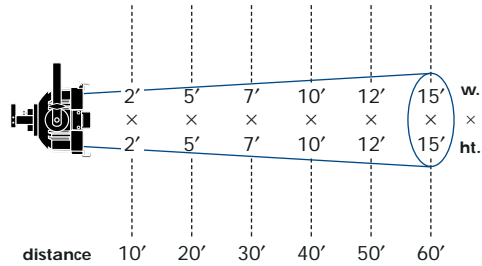
watts	volts	ANSI code	manufacturer lamp code	color temp. (°K)	rated life (hrs)	rated lumens	correction factor
375	115	--	HX400	3200	300	10,000	.69
375	115	--	HX401	3050	1,500	8,500	.59
575	115	GLC	HX600/6989P	3200	400	15,500	--
575	115	GLA	HX600/6992P	3100	1,500	13,500	--
600	230	GKV	HX600/HV230	3200	400	14,500	--
750	115	GLD	HX754	3200	300	19,000	--
750	115	GLE	HX755	3000	1,500	16,500	--

PHOTOMETRIC DATA WITH GLC LAMP

WITH 18-0110 VNSP LENS

Field Angle: 14° × 14° Candlepower: 576,100
Beam Angle: 6° × 6° Efficiency: 71.3%

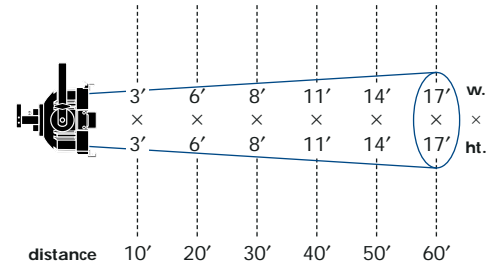
footcandles 5,761 1,440 640 360 230 160



WITH 18-0111 NSP LENS

Field Angle: 16° × 16° Candlepower: 414,300
Beam Angle: 7° × 7° Efficiency: 66.9%

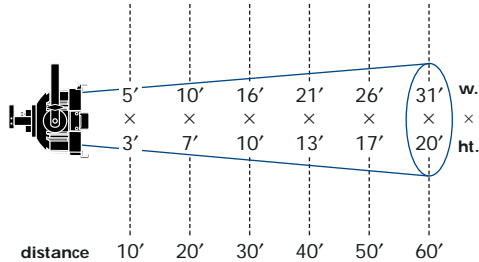
footcandles 4,143 1,036 460 259 166 115



WITH 18-0112 MFL LENS

Field Angle: 19° × 29° Candlepower: 152,200
Beam Angle: 9° × 19° Efficiency: 66.4%

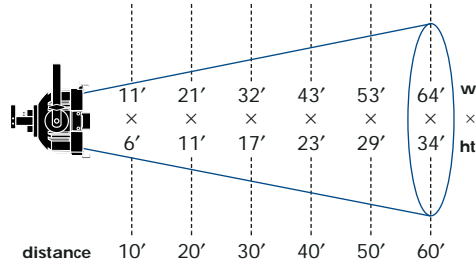
footcandles 1,522 381 169 95 61 42



WITH 18-0111 WFL LENS

Field Angle: 32° × 56° Candlepower: 35,600
Beam Angle: 17° × 40° Efficiency: 56.6%

footcandles 356 89 40 22 14 10



WITH 18-0110 VWFL LENS

Field Angle: 77° × 77° Candlepower: 10,600
Beam Angle: 53° × 53° Efficiency: 56.1%

footcandles 106 26 12 7

