

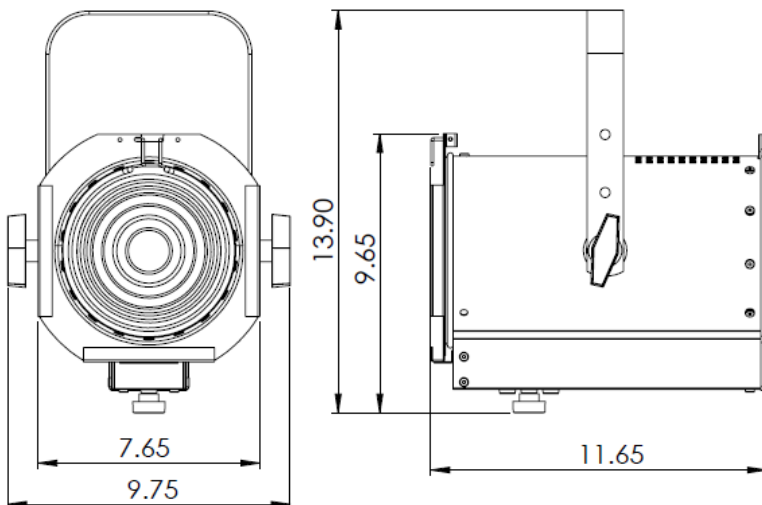
## SUMMARY

The Altman Pegasus6 Fresnel is a 6" white output LED Fresnel that is both Mains Dimmable and DMX controlled all in one luminaire. Pegasus replicates the soft light output that is expected from a Theatrical or Studio Fresnel. Under 150 Watts the 6" Pegasus Fresnel far surpasses the output of its 500 watt incandescent counterpart.

Under Mains Dim Control these fresnels can plug directly into your theatrical phase cut dimmers whether they are forward or reverse phase, and have been specially designed to replicate the smooth dimming curve of their incandescent twin. A 120 /230 switch on the back of unit allows you to set the dimming curve for both 120 volt and 230 volt dimming systems.

If your lighting system consists of constant power and DMX data then Pegasus is also right choice for you. With the flip of a switch Pegasus converts from Mains Dimmable to a DMX / RDM controlled unit.

Pegasus is available in a number of different color temperatures from 2,700k, 3000k, 4000k, and 5000k. Pegasus boasts a very high CRI, >90, and can be used with standard theatrical gel as well as theatrical Gels that have been formulated for LED's.



## FEATURES

- Delivers the output performance of its Incandescent complement
- Mains Dimmable or DMX Controlled
- Available in both 6" and 8" models
- Available in four (4) different Color temperatures
- Power CON & DMX in /thru connections
- Fully RDM Compliant
- Electronic Universal power supply 100-240VAC
- Fully homogenized beam
- High resolution digital dimming for both Mains Dimmable and DMX control.
- 15-85 degree spot to flood beam spread
- 50,000 hours of life expectancy
- All Metal Construction
- Spot to Flood Focus adjustment
- C-Clamp, Color Frame and Safety Cable included
- Proudly made in the USA

## SPECIFICATIONS

**Output :** >9,300 Lumens LED Color Temp. Dependent

**Materials:** Construction employs all corrosion-resistant materials and hardware.

**Control:** Mains Dimmable and DMX (Full RDM Compliance)

**Light Engine:** 130W - Available in 2700K, 3000K, 4000K, and 5000K White.

**Lumens/Watt:** 71.5 LED Color Temp Dependent

**Quiescent Load:** 12W @120VAC (Only Under DMX Control) 0.1A

**CRI:** >90

**Input Voltage:** 115-240 VAC 50/60hz  
1.01A @120VAC  
0.59A @ 240VAC

**Inrush Current:** 15Apk Max 1/2 Cycle @ 230VAC

**Cooling:** Silent Active Cooling (<19dBa @ 0.5 M)

**Ambient Temperature:** 0 to 40 degrees C (32 to 104 degrees F)

**BTU's/Hr:** 425.5

**Beam Angle:** Ranging from 15 to 85 degrees.

**Finish:** Black, White, or Silver (Custom colors available)

**Weight:** 11.5 Pounds (5.22Kg.) w/ C-Clamp and Yoke included

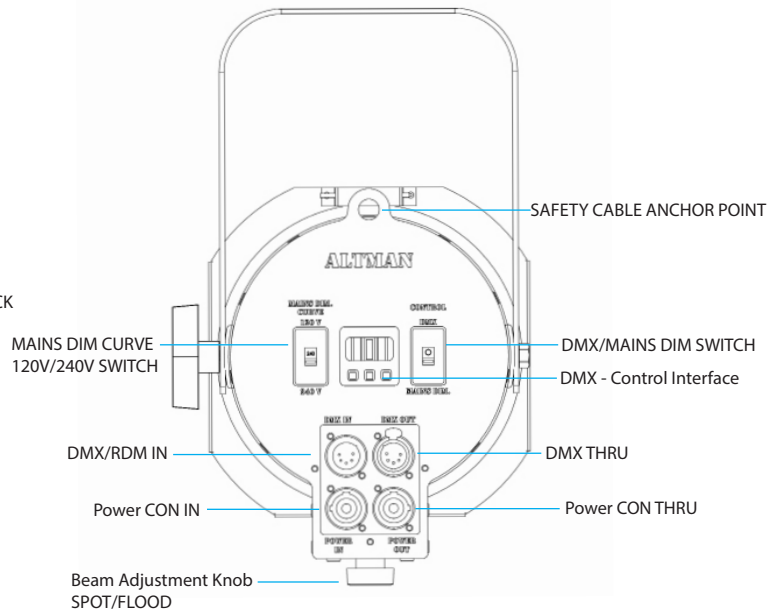
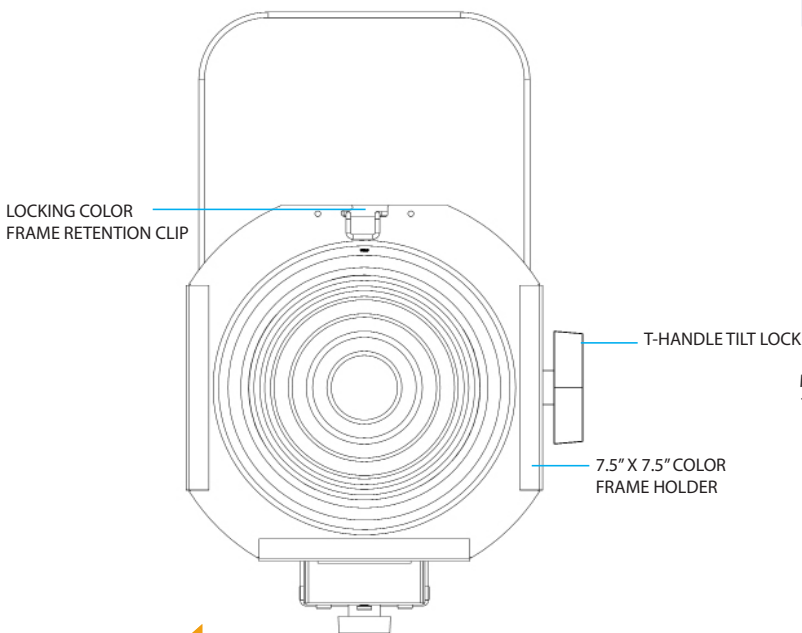
**Rating:** ETL, cETL, CE

Model	Description
PEG6-**-***	Pegasus 6 Inch LED Fresnel
** (CCT)	Add the following code for Emitter CCT: 2K, 3K, 4K, & 5K, (Nb.2K=2700 Kelvin)
*** (Body Color)	Add the following code for Body Color: B=Black, W=White, S=Silver, C=Custom

## ACCESSORIES

Accessories P/N	Description
510 (Included)	Malleable Iron Pipe Clamp
6-CF (Included)	Color Frame
SC-36-BK (Included)	36" Black Safety Cable with Spring Clip
PCL-PBG-12* (Included)	5' 20A PowerCON With Edison Connector
6-BD-4	4-Way Barn Door
6-SN	Snoot
PCL-2P&G-12-5-*	5' 20A PowerCON with Stage Pin Connector
PCL-TLG-12-5-*	5' 20A PowerCON with L5-20P Twist Lock Connector
PCL-BARE-12-5-*	5' 20A PowerCON with Bare End Lead
PCTJ-12-5-*	5' 20A PowerCON to PowerCON

\*=W for White Cable, Black Cable is Standard and no suffix is required



## PHOTOMETRIC PERFORMANCE

### Spot @ 15 Degrees

Distance	5'-0"	10'-0"	15'-0"	20'-0"
Diameter	1'-4"	2'-8"	3'-11"	5'-3"
2,700 K	1129	282	125	71
3,000 K	1204	301	134	75
4,000 K	1327	332	148	83
5,000 K	1411	353	157	88

### Medium @ 35 Degrees

Distance	5'-0"	10'-0"	15'-0"	20'-0"
Diameter	2'-10"	5'-9"	8'-7"	11'-6"
2,700 K	518	129	58	32
3,000 K	552	138	61	35
4,000 K	609	152	68	38
5,000 K	647	162	72	40

### Wide @ 85 Degrees

Distance	5'-0"	10'-0"	15'-0"	20'-0"
Diameter	6'-6"	12'-10"	19'-8"	23'-7"
2,700 K	205	51	23	13
3,000 K	219	55	24	14
4,000 K	241	60	27	15
5,000 K	256	64	29	16

Note: All measurements are shown in feet/inches and footcandles.  
 To convert from foot candles (fc) to Lux (LX) multiply fc by 10.76.